



Heating element

AGA63.6...

AGA63.6 heating element for use on electrohydraulic SKPx5 actuators. The AGA63.6 heating element extends and ensures the application of the SKPx5 actuators at low or highly fluctuating ambient temperatures.

The AGA63.6 and this data sheet are intended for use by original equipment manufacturers (OEMs) using the AGA63.6 or SKPx5 with AGA63.6 in or on their products.

Use

The AGA63.6 heating element is used in gas-fired applications equipped with SKPx5 actuators.

Warning notes



To avoid injury to persons, or damage to property or the environment, the following warning notes should be observed.

It is not permitted to open, interfere with, or modify the unit!

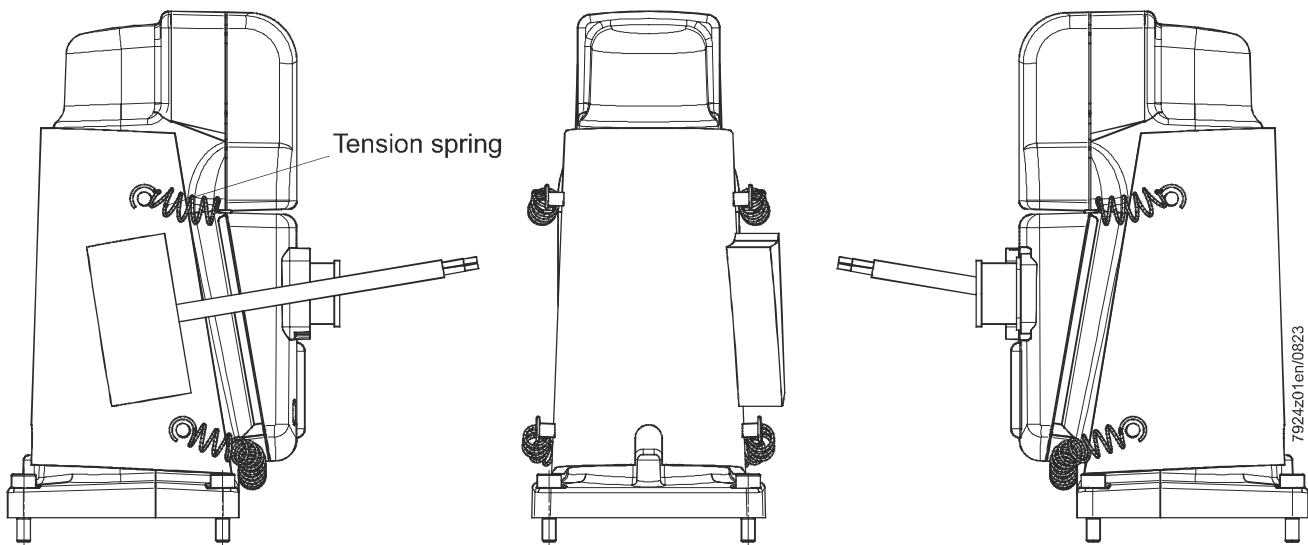
- All activities (mounting, installation, service work, etc.) must be performed by qualified staff
- Before carrying out any wiring changes in the connection area, completely isolate the plant from power supply (all-polar disconnection)
- Take suitable measures to provide protection against accidental contact at the electrical connections
- Each time work has been carried out (mounting, installation, service work, etc.), check to ensure that wiring is in an orderly state
- These devices must not be put back into operation following impact or shock; even if they do not exhibit any visible damage, their safety functions may be impaired
- Operation of the AGA63.6 heating element without the SKPx5 actuator is not permitted and can lead to overheating and burns

Mounting notes

Ensure that the relevant national safety regulations are complied with.

AGA63.6 heating element for mounting on the SKPx5 actuator

Example: Mounting on the SKP15 actuator



Connect the long spring between the 2 lower hooks of the heating pad, then connect the 2 short springs between the upper hooks and the SKPx5 actuator.



Warning!
Risk of injury!
To prevent the risk of injury from slipping, please use pliers!

Installation notes

- Do not mix up live and neutral conductors
- Use a suitable circuit breaker when installing the AGA63.6 heating element
- Refer to chapter *Function* for details on the electrical connection of the AGA63.6 heating element

Commissioning notes

- To ensure on-demand heating of the equipped SKPx5 actuators, the AGA63.6 heating element must be connected to a permanent power supply (230 V AC) after mounting
- The AGA63.6 heating element may only be operated in connection with the SKPx5 actuator after it has been properly mounted

Standards and certificates



Note

Only in connection with Siemens SKPx5 actuators.



Applied directives:

- Low Voltage Directive

2014/35/EU

Compliance with the regulations of the applied directives is verified by the adherence to the following standards/regulations:

- Household and similar electrical appliances – Safety Part 1: General requirements EN 60335-1

Disposal notes

The AGA63.6 contains electrical and electronic components and must not be disposed of together with domestic waste. Local and currently valid legislation must be observed.

Design

The AGA63.6 heating element is an autonomous functional unit and only requires a 230 V AC power supply for operation. A 2-core connecting cable with ferrules is provided for this purpose. The AGA63.6 heating element contains a non-replaceable safety fuse for overtemperature protection.

Type summary and ordering information

Heating element

AGA63.6A27

Article no.: **S55851-Z701-A100**

The AGA63.6 heating element is suitable for the following actuator types:

- SKP15
- SKP25
- SKP55
- SKP75

The AGA63.6 heating element is supplied with 3 tension springs for fastening.

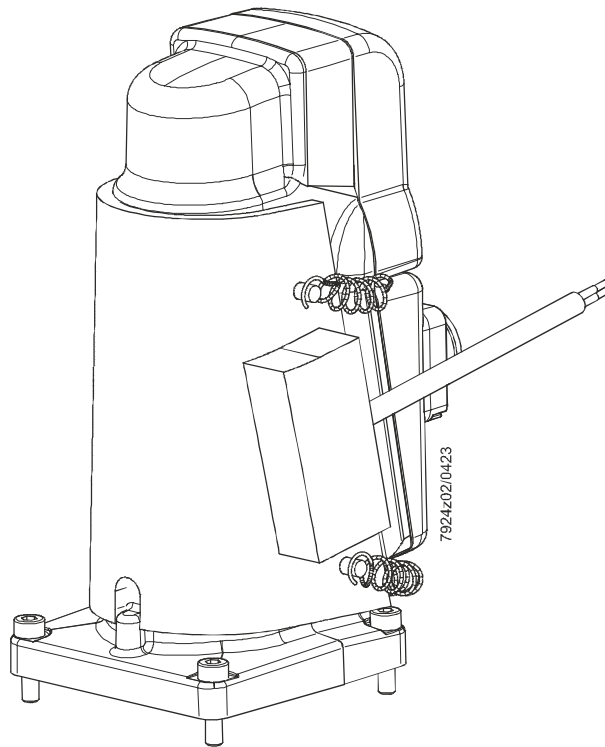
Technical data

General unit data	Mains voltage	230 V AC +10%/-15%
	Mains frequency	50 Hz ±5%
	Power consumption	Max. 50 VA
	On time	100%
	Weight	Approx. 200 g
	Connecting cables	2 x 0.75 mm ² , flexible, «L/N»
	Degree of protection	IP65
Environmental conditions	Storage	EN 60721-3-1:1997
	Climatic conditions	Class 1K3
	Mechanical conditions	Class 1M2
	Temperature range	-40...+60°C
	Humidity	< 95% r.h.
	Transport	EN 60721-3-2:1997
	Climatic conditions	Class 2K2
	Mechanical conditions	Class 2M2
	Temperature range	-40...+60°C
	Humidity	< 95% r.h.
	Operation	EN 60721-3-3:1995 + A2:1997
	Climatic conditions	Class 3K3
	Mechanical conditions	Class 3M3
	Temperature range	-20...+40°C
	Humidity	< 95% r.h.
Installation altitude	Max. 2,000 m above sea level	



Warning!

Condensation, formation of ice, and ingress of water are not permitted.



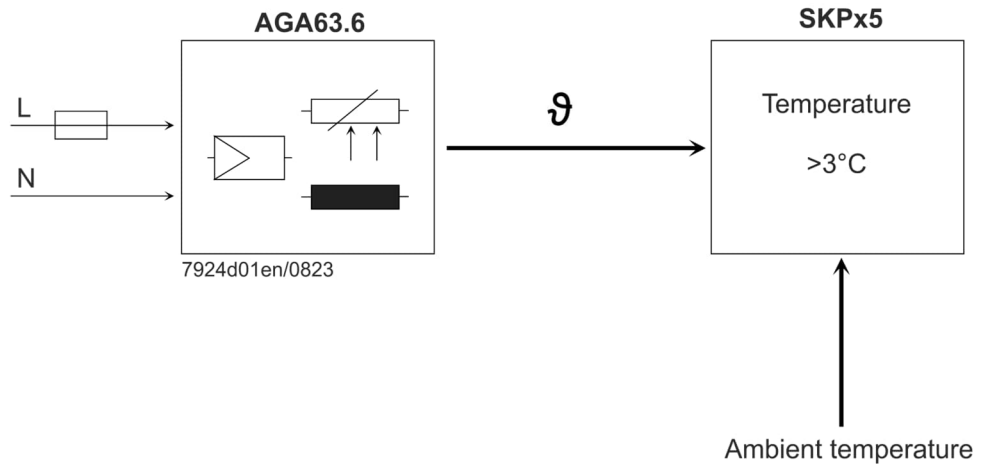
The temperature control located in the red housing detects the housing temperature of the AGA63.6 heating element at the heat transfer point to the SKPx5 actuator and regulates its temperature to $>3^{\circ}\text{C}$. This applies to an ambient temperature range of $-20\dots+15^{\circ}\text{C}$. If the ambient temperature exceeds 15°C , the AGA63.6 heating element is deactivated and the temperature of the SKPx5 actuator follows the ambient temperature plus the self-heating during operation.



Note on ambient temperature.

At lower ambient temperatures, the stiffness of the rubber membranes on the SKP25, SKP55, and SKP75 actuators increases and can lead to changes in control behavior. If the ambient temperature drops below -20°C , impermissible gas pressure deviations may occur.

Electrical connection:



Assembly drawing

Dimensions in mm

AGA63.6

